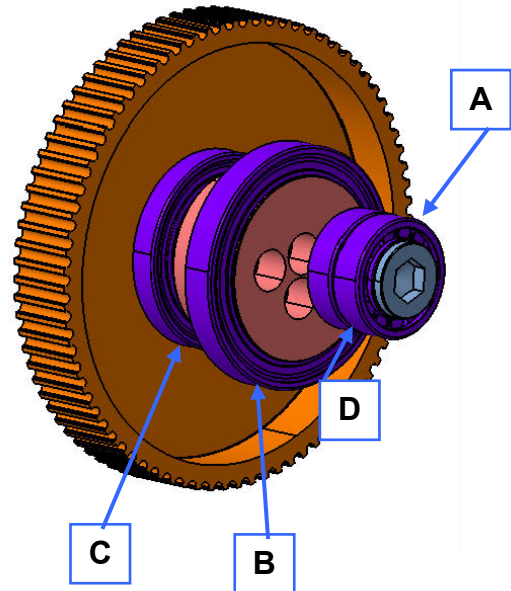
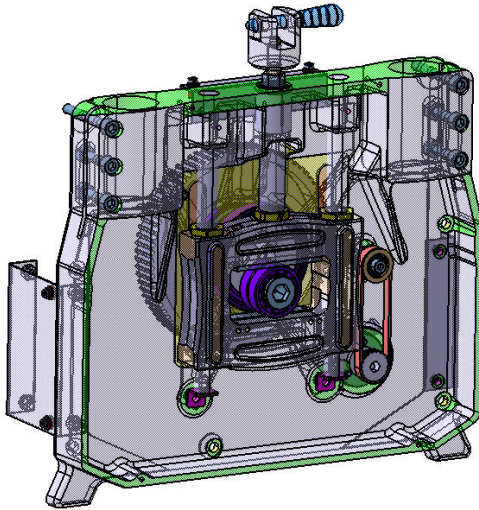


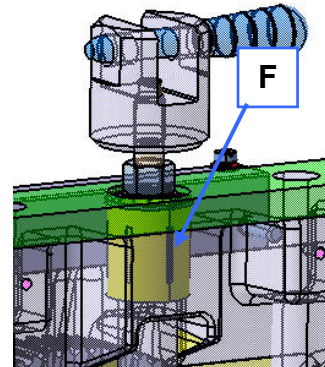
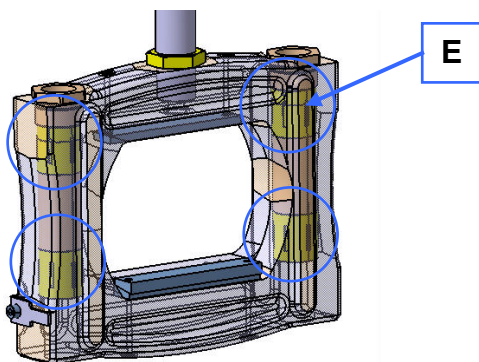
## Bearings list in DINO 3-50 and DINO 4-50

### a) SCOTCH YOKE mechanism



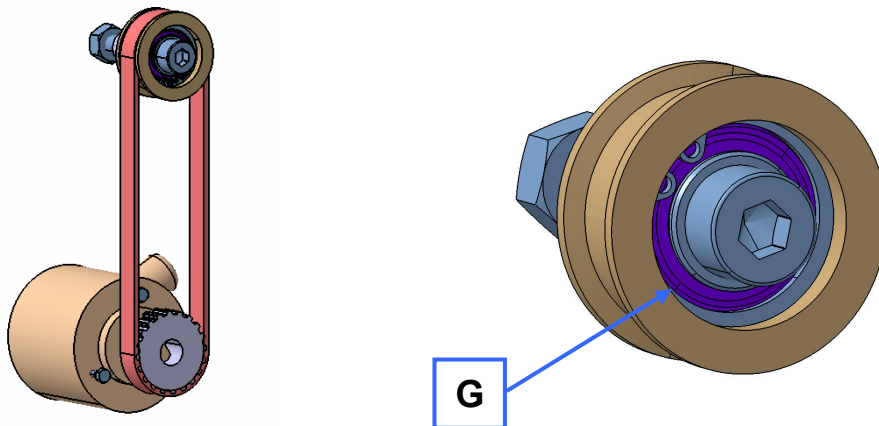
#### Bearings description:

- A: NUP – 205 – 2RS Cylindrical roller bearings
- B: 61915 – 2RS – Deep groove ball bearings
- C: 61912 – 2RS – Deep groove ball bearings
- D: ROD – 352505 – Spacer washer (5 x Mac)



- E: KH2030 Linear bearing
- F: KH2540 Linear bearing

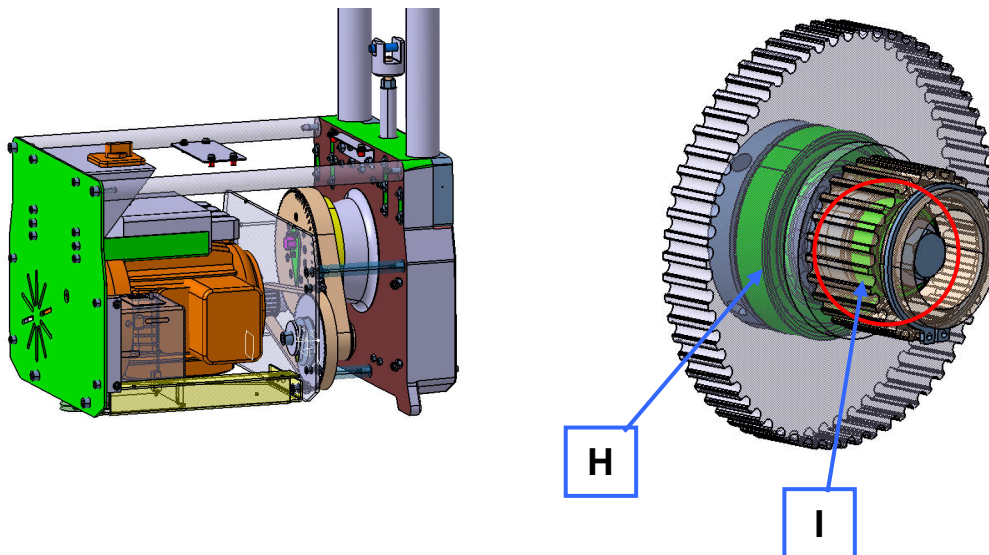
## b) Encoder assembly



Bearings description:

- G: 61901 – 2RS – Deep groove ball bearings

## c) Reduction system – Double pulley



Bearings description:

- H: 6009 – 2RS - Deep groove ball bearings
- I: 6202 – 2RS - Deep groove ball bearings